



Presents

REVIT® Structure 2008

Update



REVIT® Structure 2008 Update

•**Please** also refer to the CADclips:

REVIT® Architecture 2008 Update

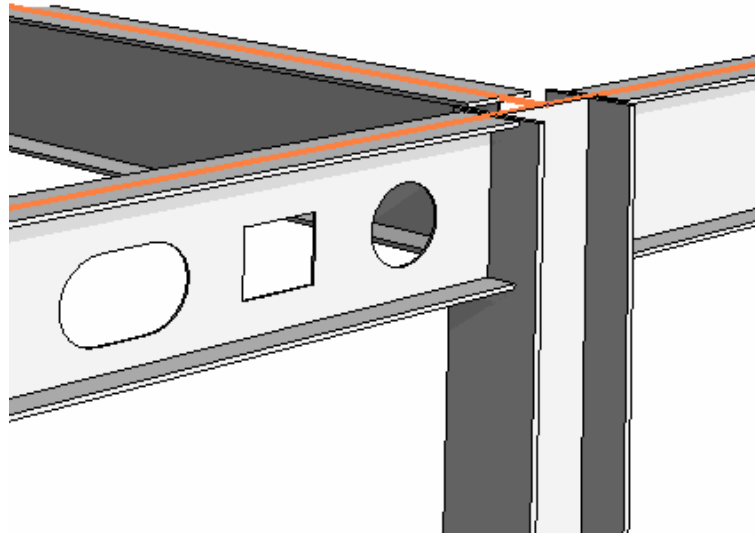
for related topics:



November 20, 21, 22, 23, 2007



REVIT® Structure 2008 Update

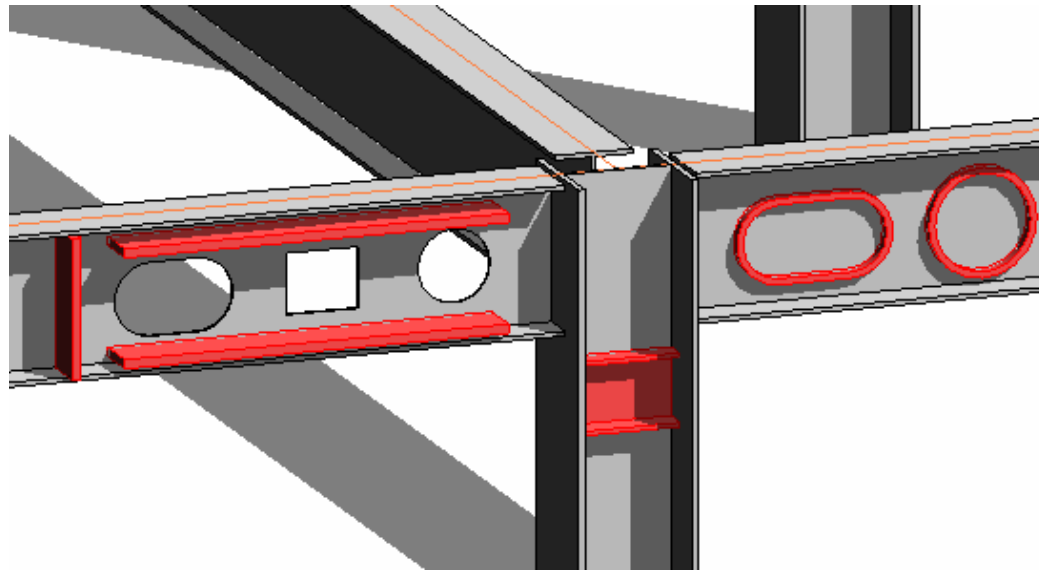


Openings in Framing Members

9.17.07



REVIT® Structure 2008 Update

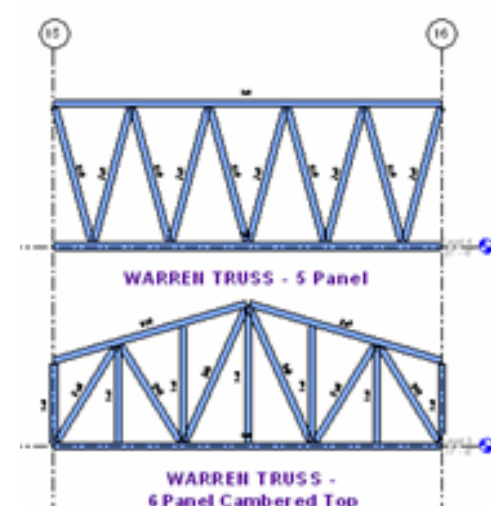
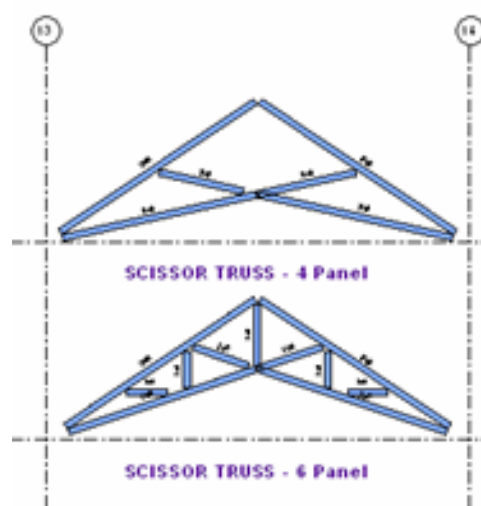
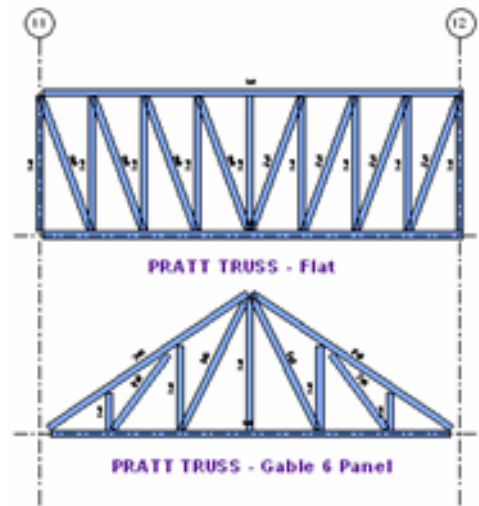


Stiffener Components

9.17.07



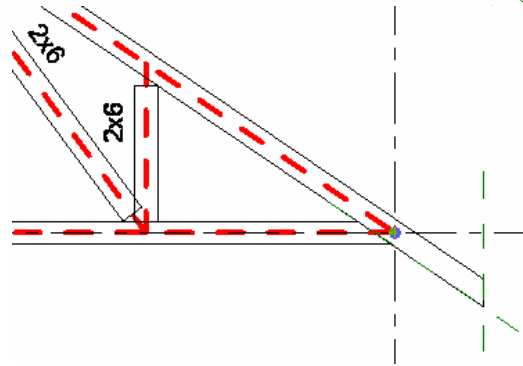
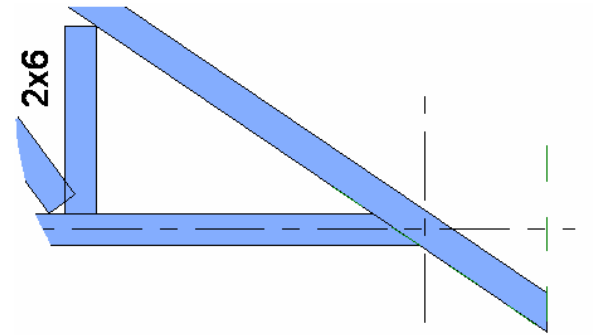
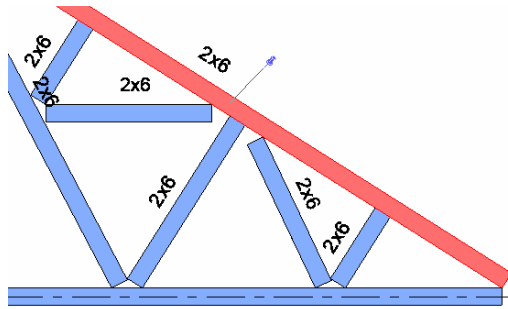
REVIT® Structure 2008 Update



Truss Families



REVIT® Structure 2008 Update



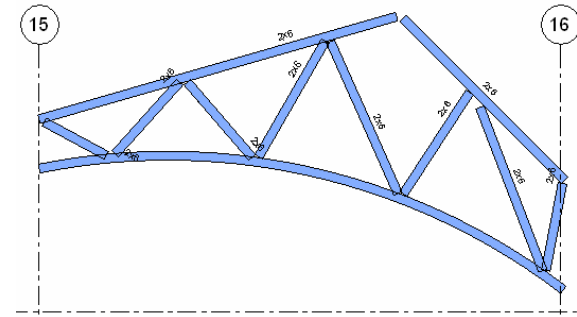
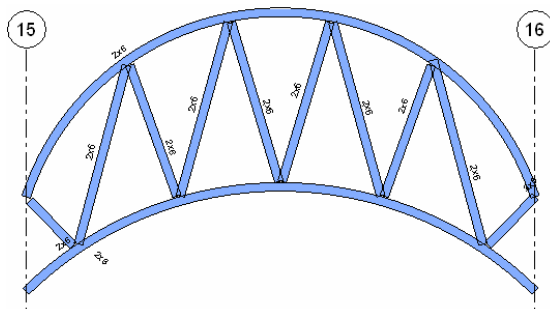
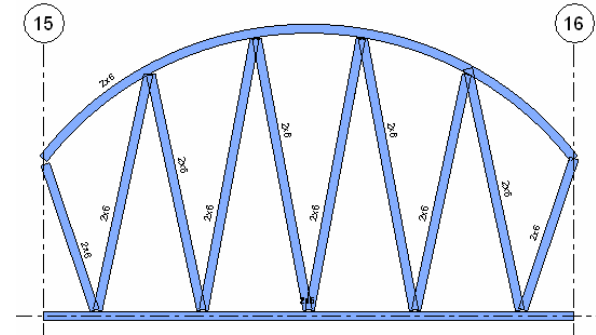
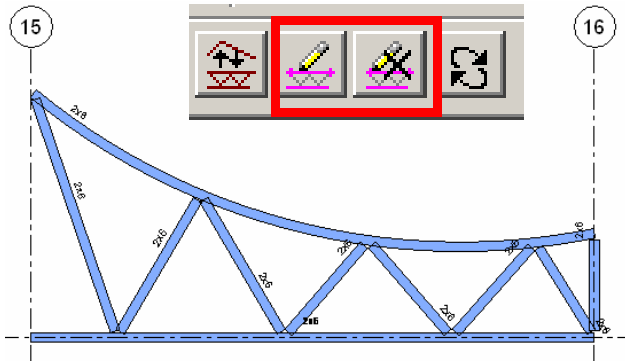
Type Parameters:

Parameter
Top Chords
Vertical Webs
Diagonal Webs
Bottom Chords
Construction
Identity Data
Keywords

Truss Chord Modifications



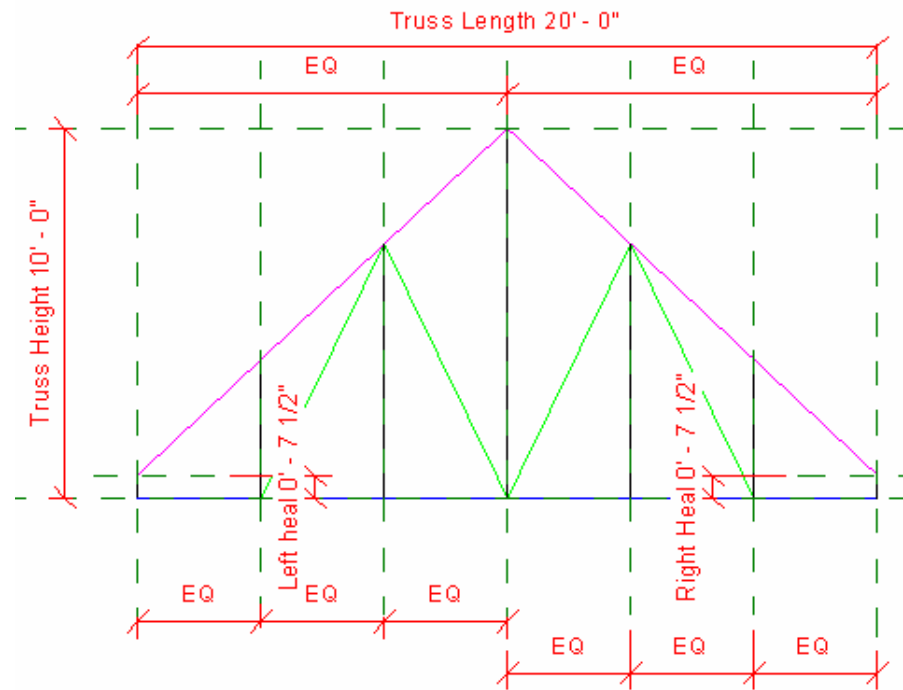
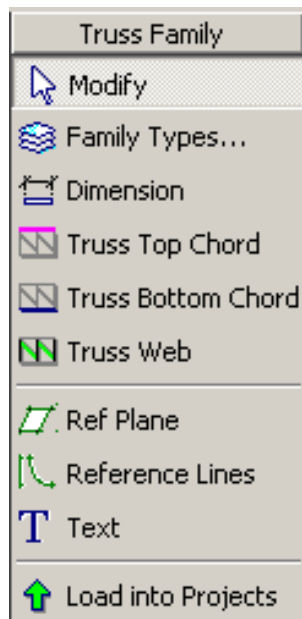
REVIT® Structure 2008 Update



Edit Truss Profile



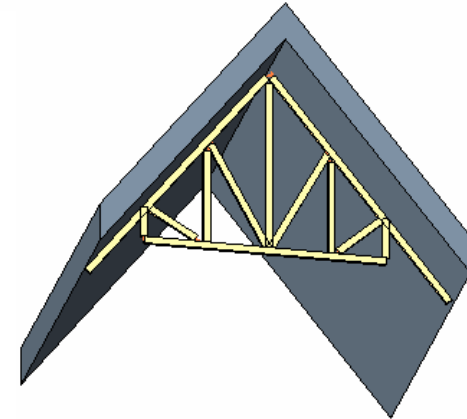
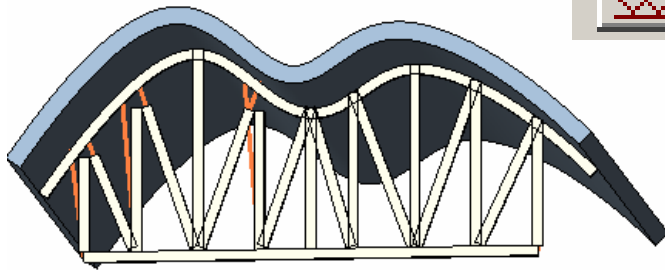
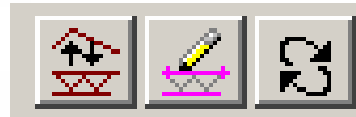
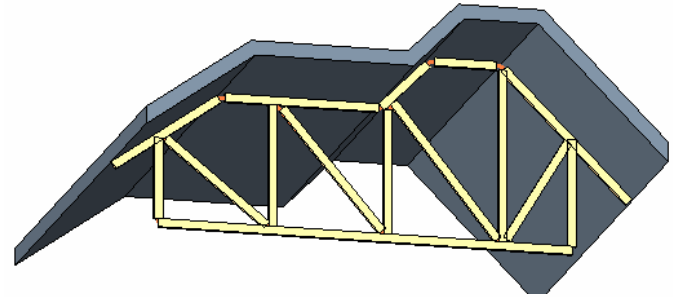
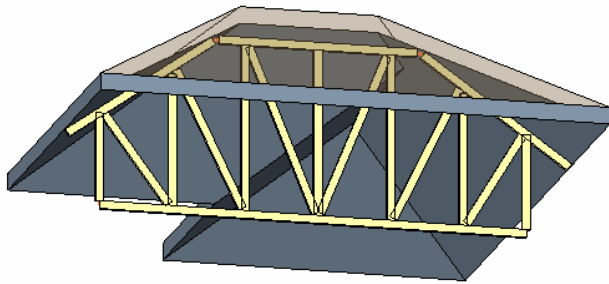
REVIT® Structure 2008 Update



Custom Truss Family



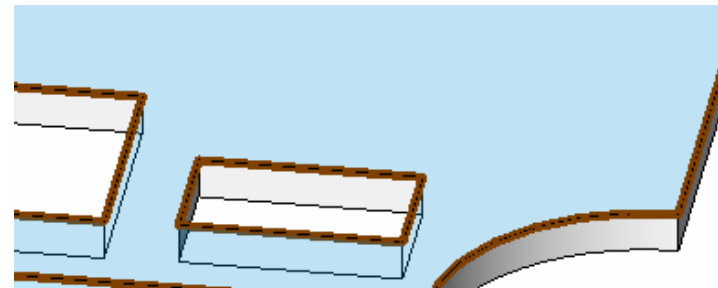
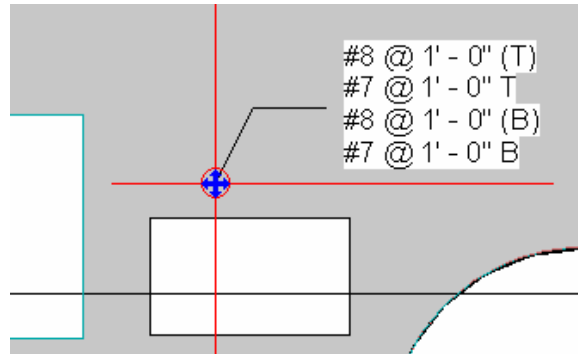
REVIT® Structure 2008 Update



Attach Top Chord To Roof



REVIT® Structure 2008 Update



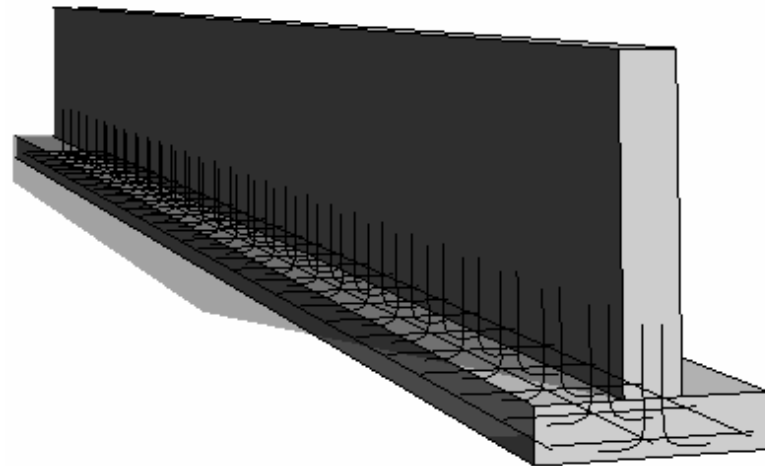
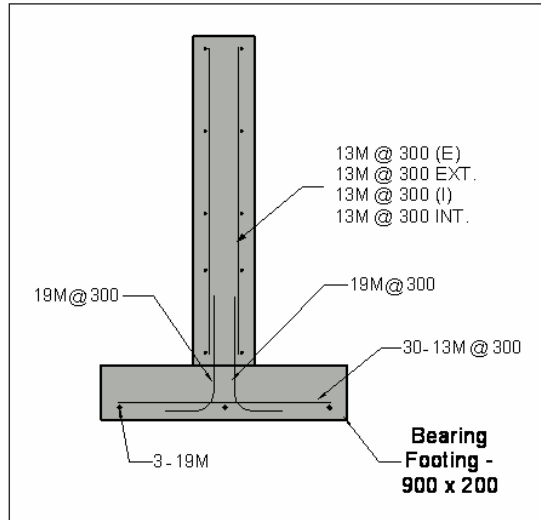
#8 @ 1' - 0" (T)
#7 @ 1' - 0" T
#8 @ 1' - 0" (B)
#7 @ 1' - 0" B



Rebar – Slab Area Reinforcing Imperial units



REVIT® Structure 2008 Update

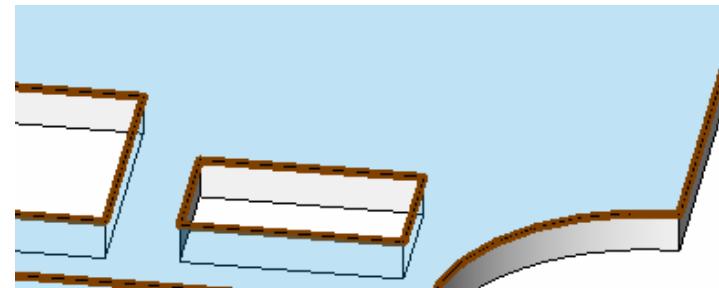
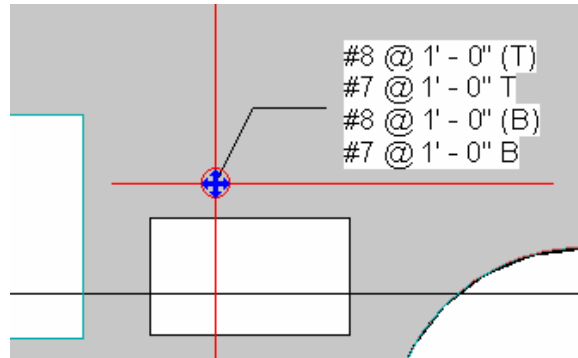


1 Section 1
1 : 20

Daryl's my name.
Rebar IS MY GAME !
Metric units



REVIT® Structure 2008 Update



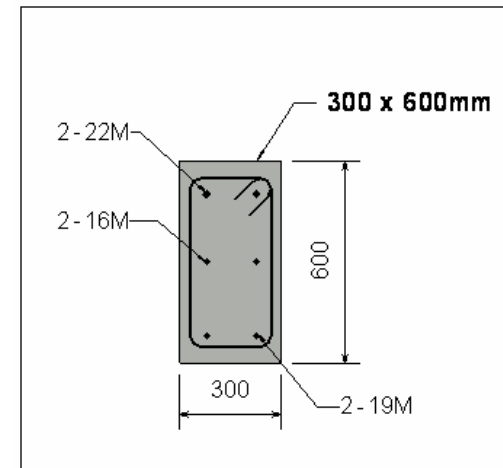
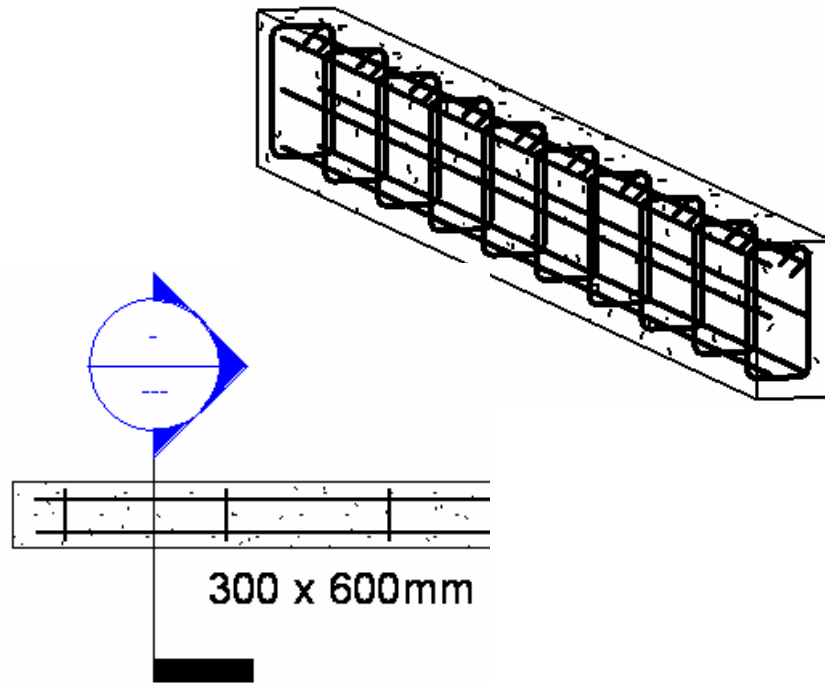
#8 @ 1' - 0" (T)
#7 @ 1' - 0" T
#8 @ 1' - 0" (B)
#7 @ 1' - 0" B



Rebar – Slab Area Reinforcing Metric units



REVIT® Structure 2008 Update

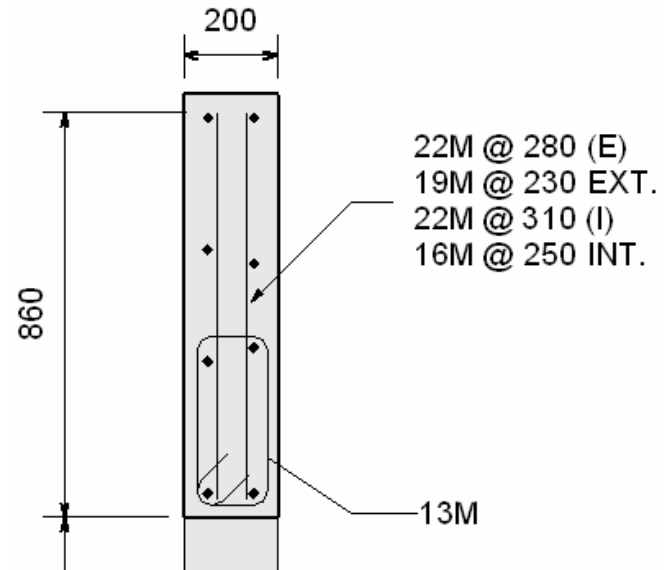
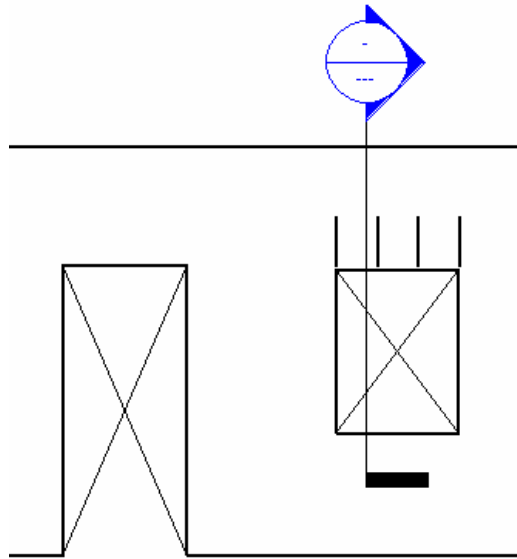


1 Section 2
1 : 20

Rebar – Concrete Beam Metric units



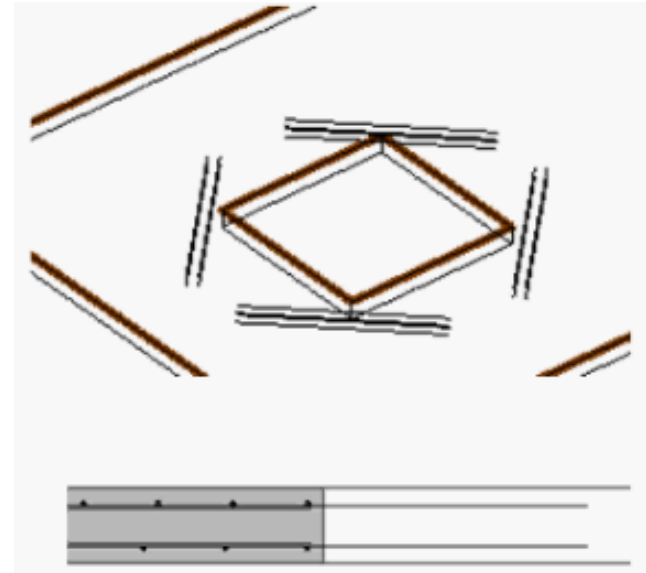
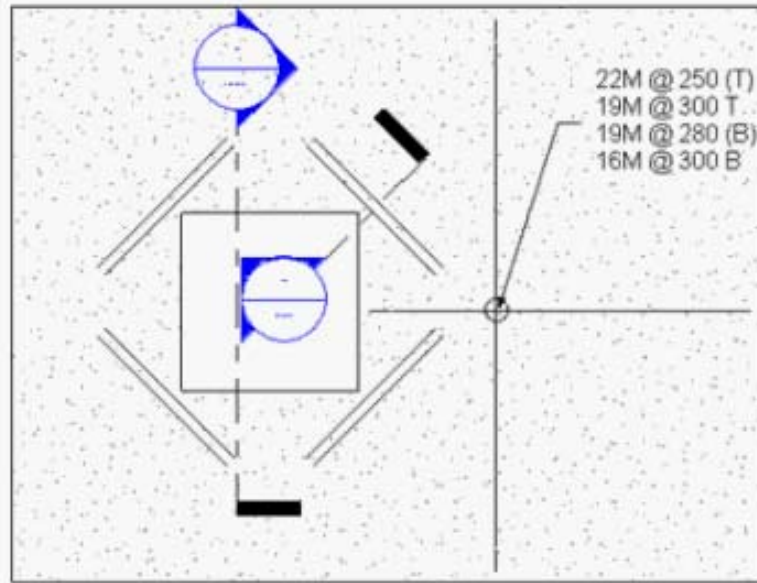
REVIT® Structure 2008 Update



Rebar – Wall and Lintel Metric units



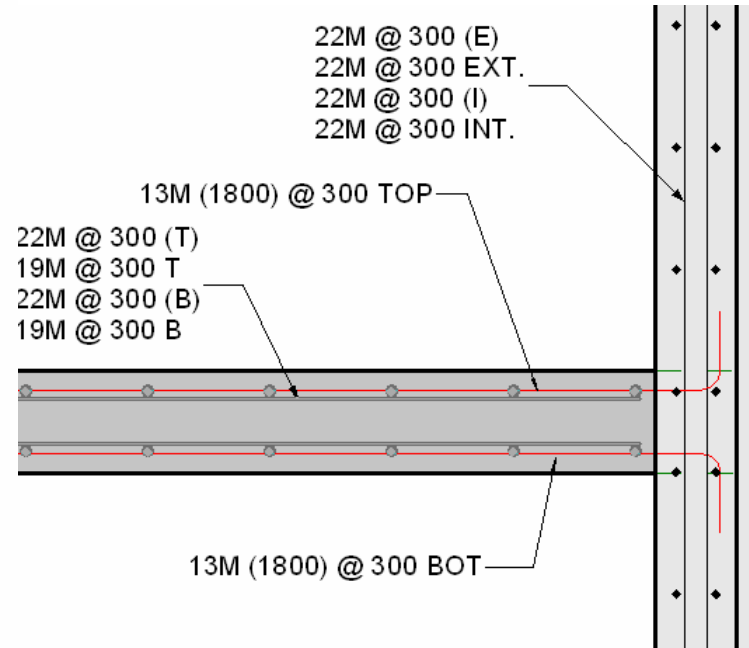
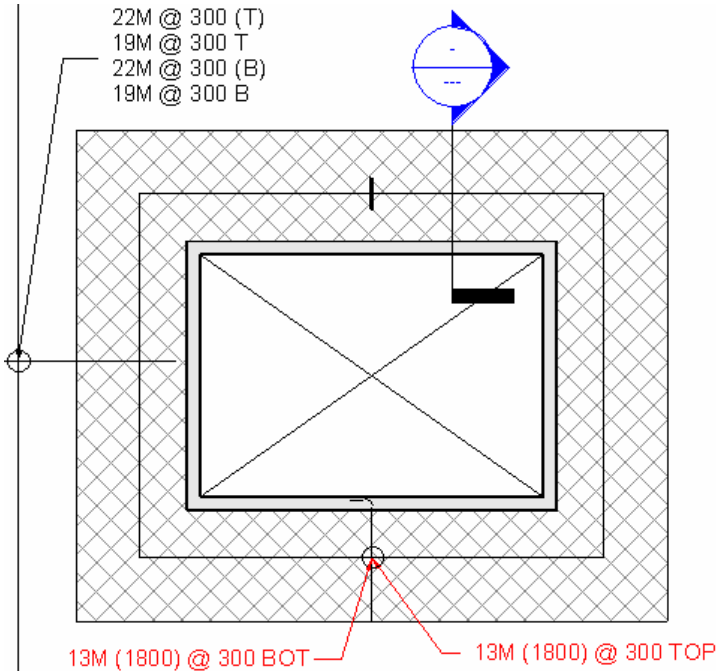
REVIT® Structure 2008 Update



Rebar – Slab Opening Metric units



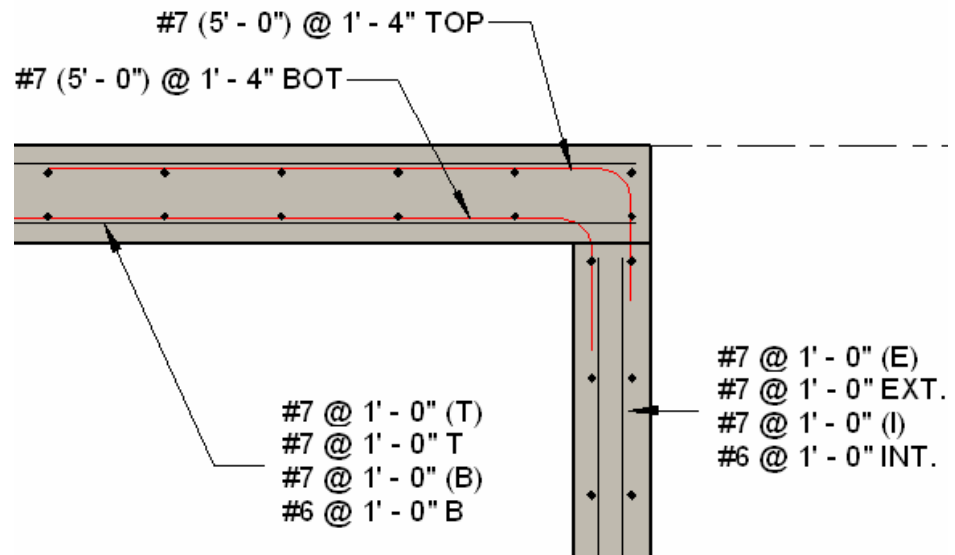
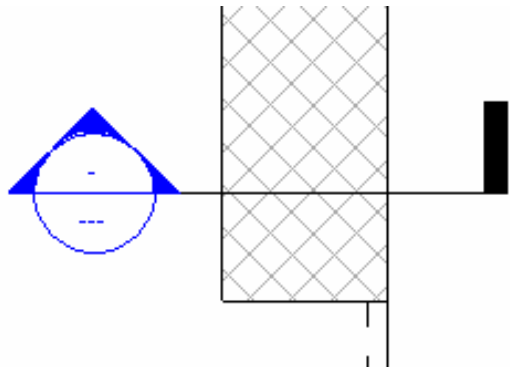
REVIT® Structure 2008 Update



Rebar – Path Rein'f at Shaft Metric units



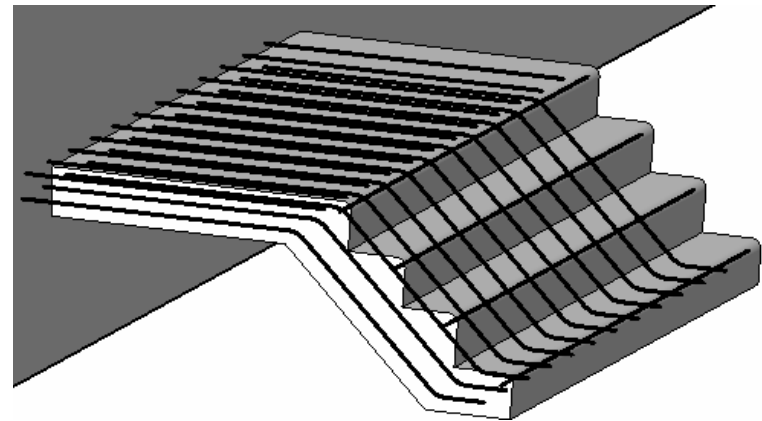
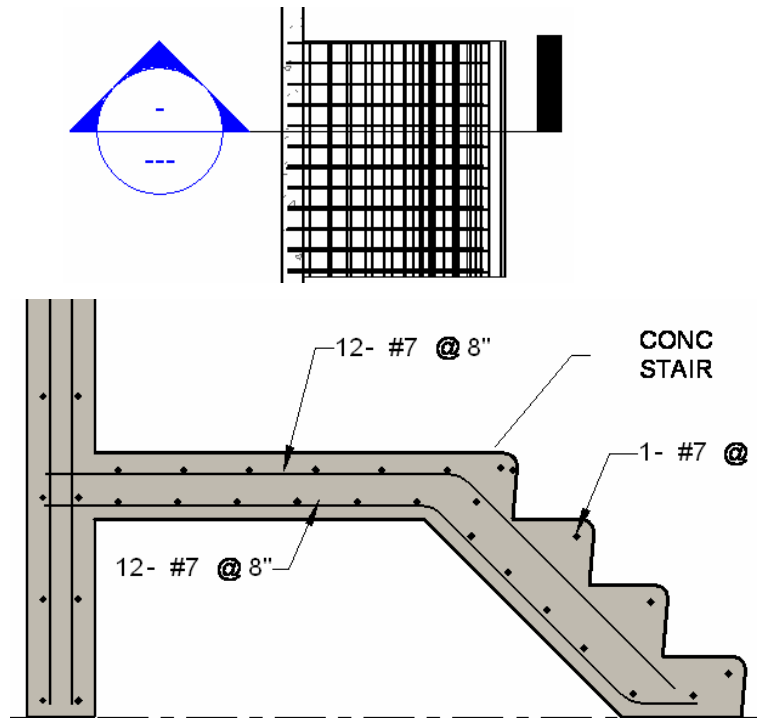
REVIT® Structure 2008 Update



Rebar – Path Rein'f at Slab Edge Imperial Units



REVIT® Structure 2008 Update



**Rebar – Rein'f Conc. Stair
Imperial Units**

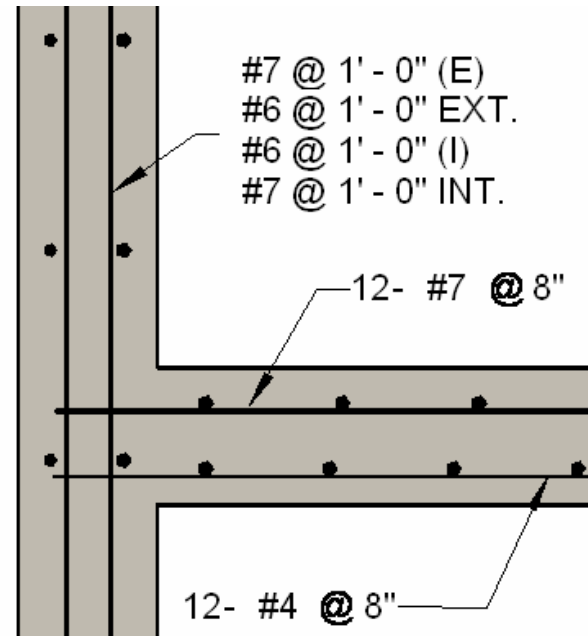


REVIT® Structure 2008 Update

Object Styles

Model Objects | Annotation Objects | Imported Objects

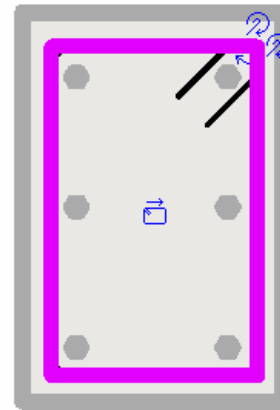
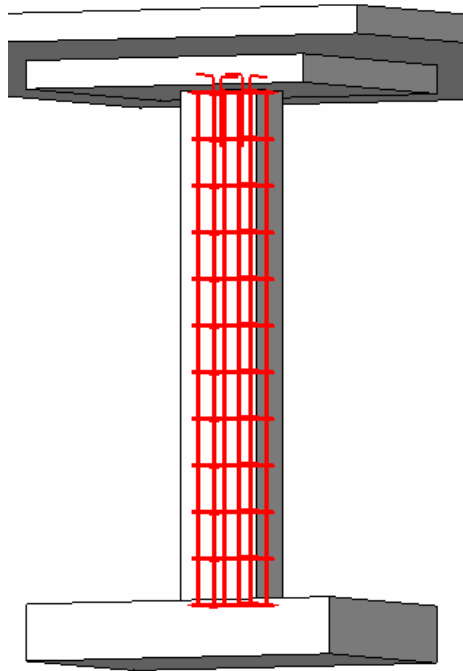
Category	Line Weight	
	Projection	Cut
Structural Path Reinforcement	1	1
Structural Rebar	4	1
Medium Rebar	5	1
Thin Rebar	2	1
Wide Rebar	7	1
Structural Stiffeners	1	1
Structural Trusses	6	1



Rebar – Line weights Imperial Units



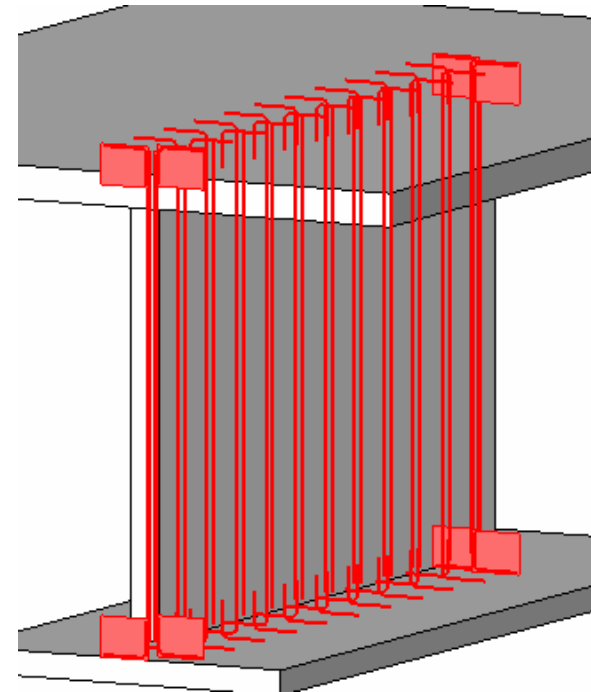
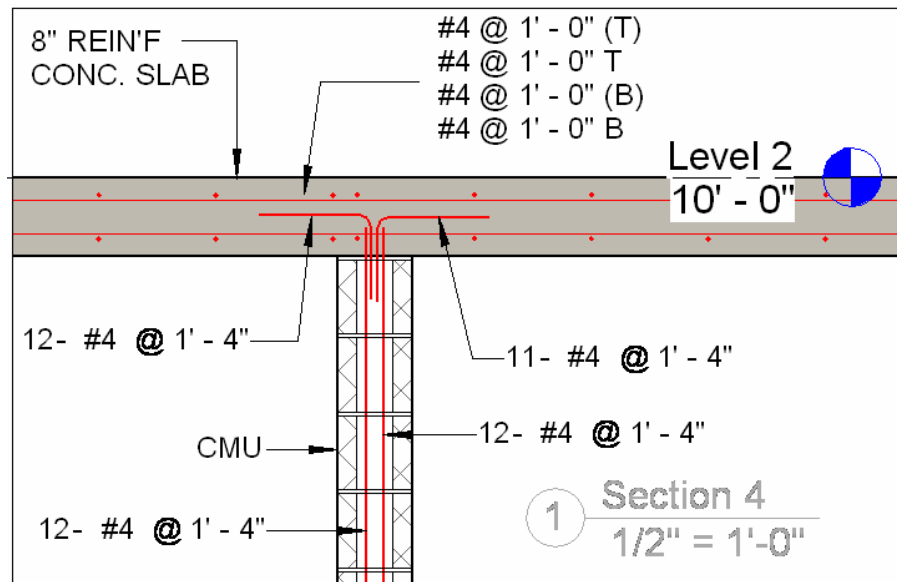
REVIT® Structure 2008 Update



Rebar – Rein'f Conc. Column
Imperial Units



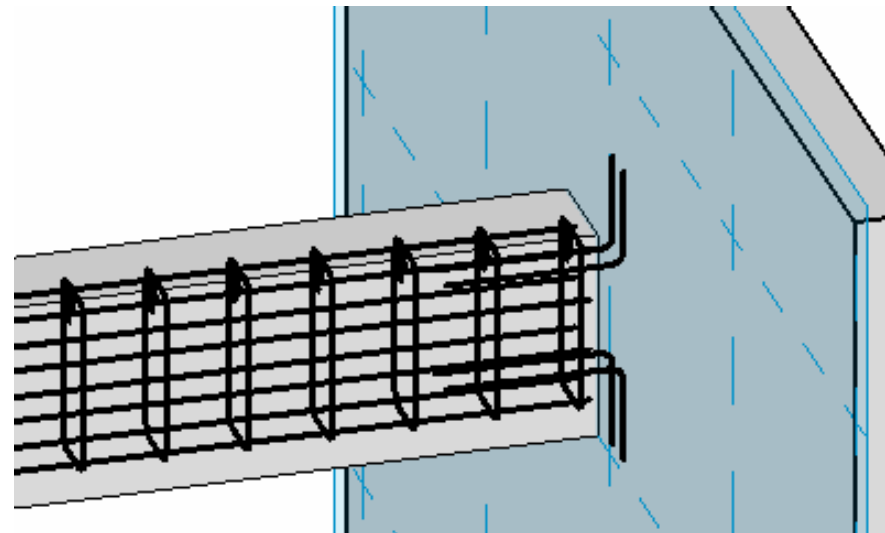
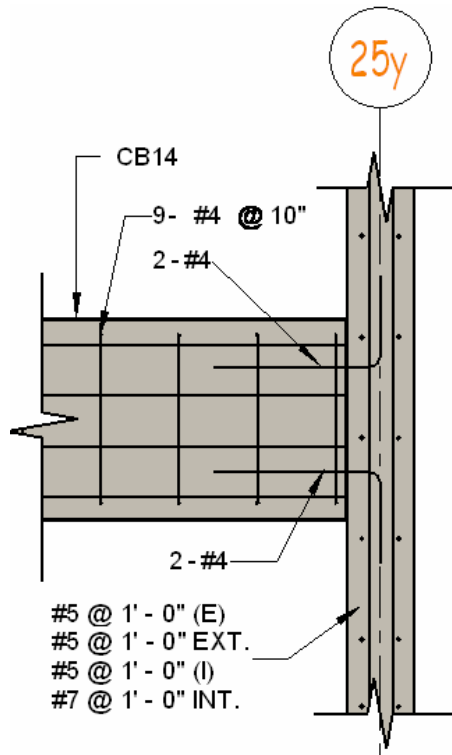
REVIT® Structure 2008 Update



Rebar – Rein'f CMU Detail Imperial Units



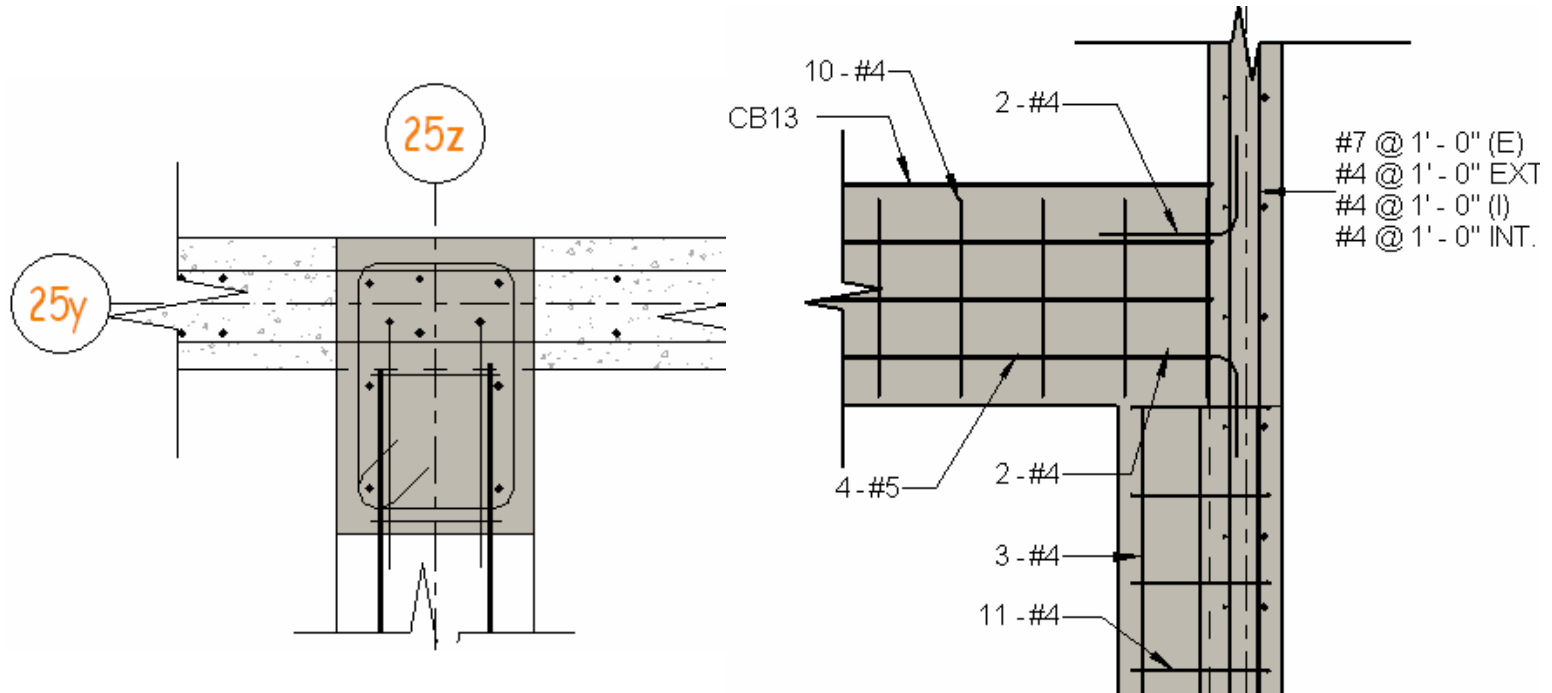
REVIT® Structure 2008 Update



Rebar – Conc. Beam and Wall Imperial Units



REVIT® Structure 2008 Update



Rebar – Concrete Pilaster Imperial Units



REVIT® Structure 2008 Update

Rebar Schedule			
Bar Diameter	Bar Length	<u>Hook At End</u>	<u>Hook At Start</u>
Ø - Ø 3/8"	9' - 10"	None	None
Ø - Ø 3/8"	2 - Ø 3/8"	None	None
Ø - Ø 1/2"	7' - 2 7/8"	None	None
Ø - Ø 1/2"	4' - 9 7/8"	Stirrup/Tie - 135 deg.	Stirrup/Tie - 135 deg.
Ø - Ø 1/2"	2 - 5 3/8"	None	None

Rebar – Scheduling

Imperial Units

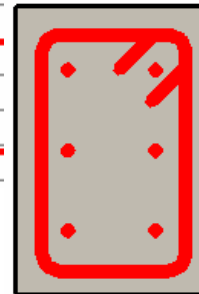


REVIT® Structure 2008 Update

Line Styles

Line Styles

Category	Line Weight	Line Color	Line Pattern
	Projection		
Lines	1	RGB 000-166-000	Solid
<Area Boundary>	6	RGB 128-000-255	Solid
<Beyond>	1	Black	Solid
<Centerline>	1	Black	Solid
Rebar Medium	3	Red	Solid
Rebar Thin	1	Red	Solid
Rebar Wide	5	Red	Solid
<Room Separation>	1	Black	Solid



Rebar Wide

Rebar Medium

Rebar Thin

Rebar – Using Detail Lines

Imperial Units

REVIT® Structure 2008 Update

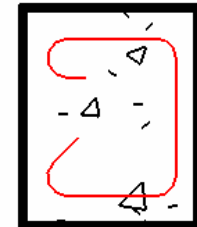
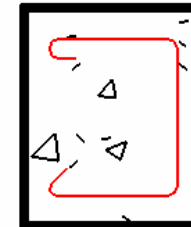
[-] Structural Rebar
[-] Rebar Bar

..... 10M
..... 13M
..... 16M
..... 19M
..... 22M
..... 25M
..... 29M



[-] Rebar Hook

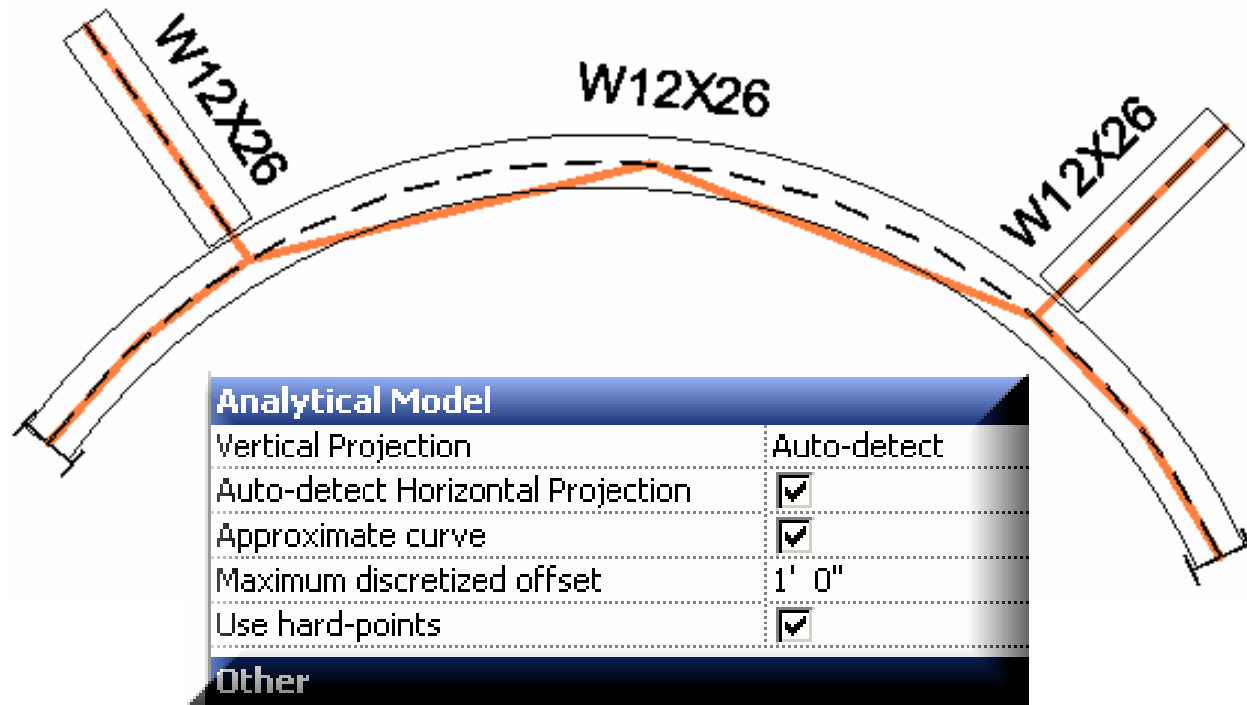
..... Standard - 90 deg.
..... Standard - 180 deg.
..... Stirrup/Tie - 90 deg.
..... Stirrup/Tie - 135 deg.
..... Stirrup/Tie Seismic - 135 deg.



Rebar – System Families

Metric Units

REVIT® Structure 2008 Update

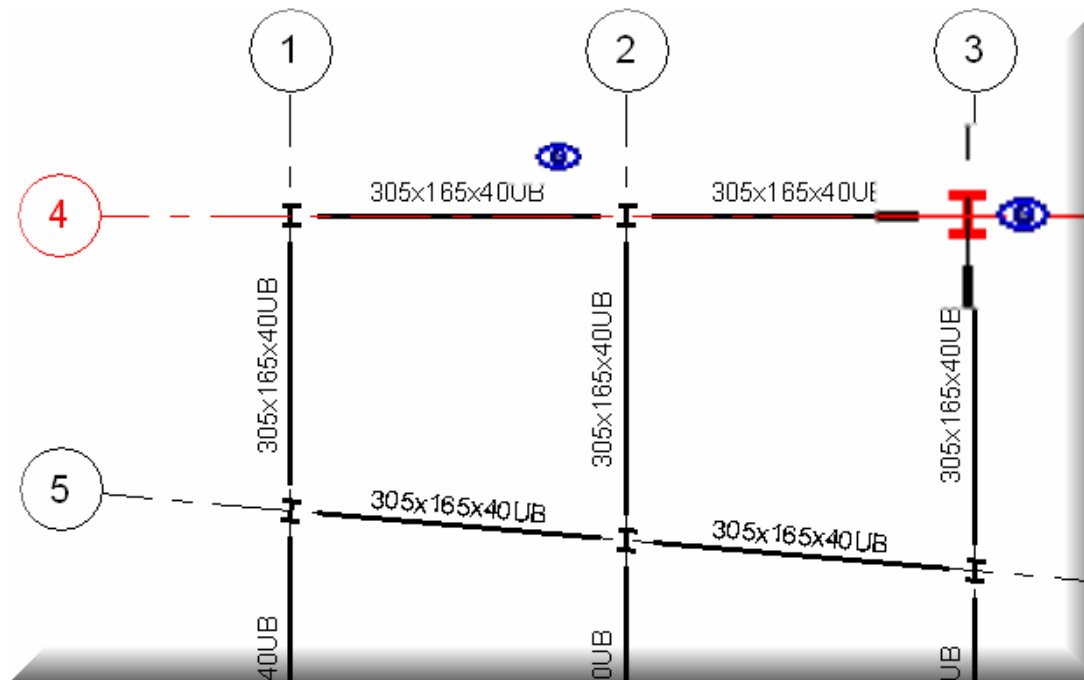


Curved Beams

Imperial Units



REVIT® Structure 2008 Update



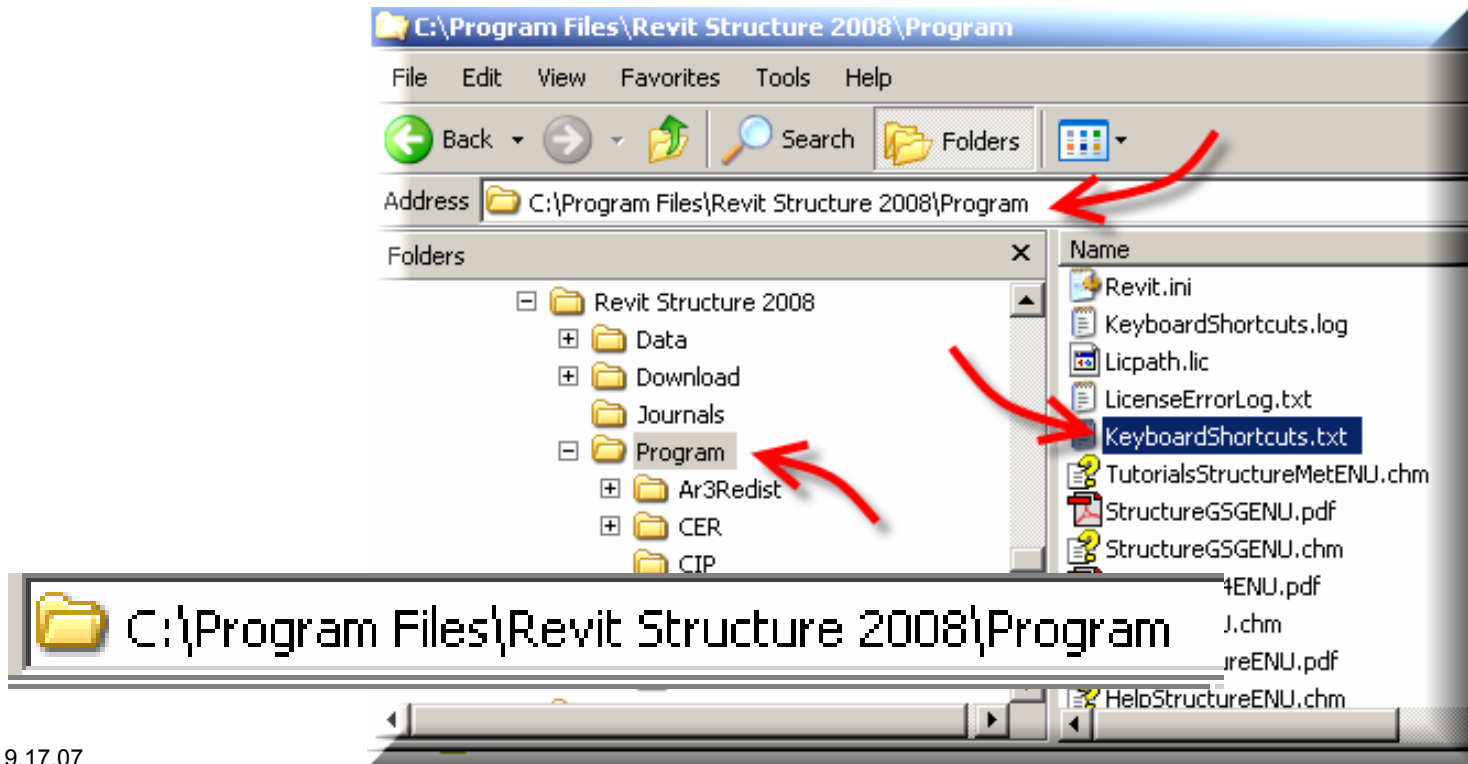
‘Monitor’ within a Project file

Metric Units



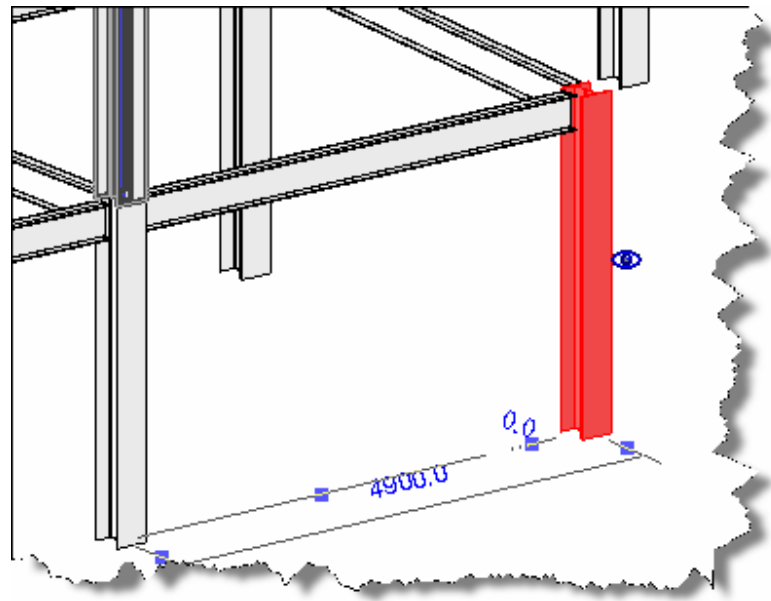
REVIT® Structure 2008 Update

Creating Keyboard Shortcuts





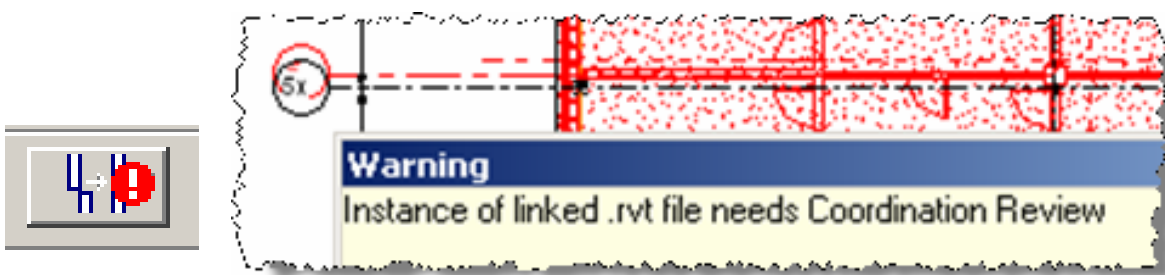
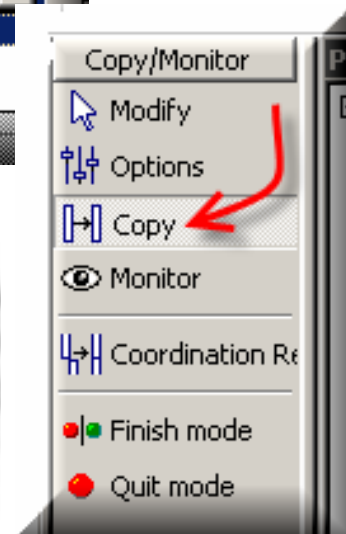
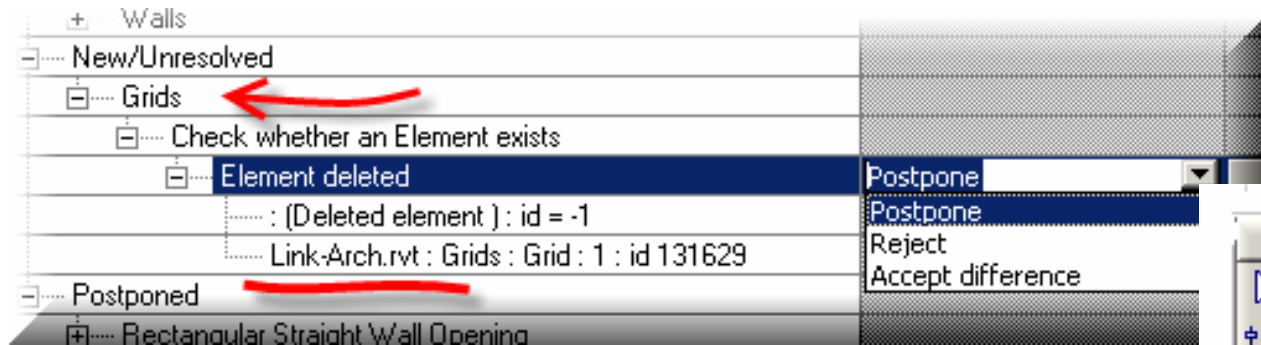
REVIT® Structure 2008 Update



Coordination Review Current Project



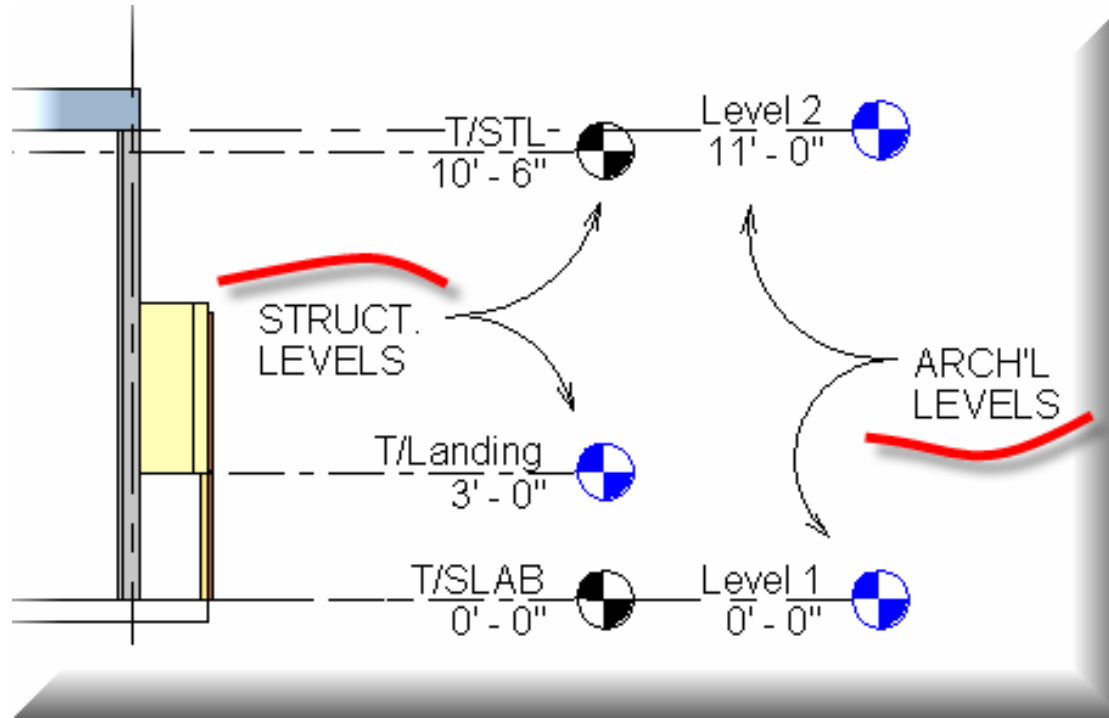
REVIT® Structure 2008 Update



Copy/Monitor 'Grids' from a Linked File



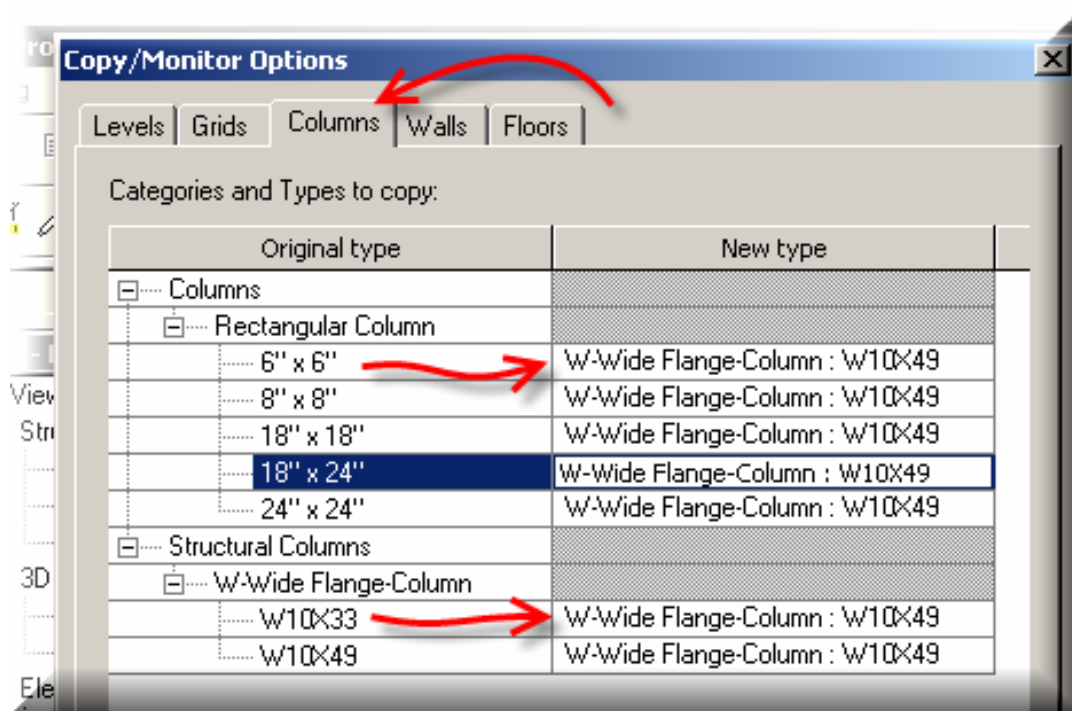
REVIT® Structure 2008 Update



Copy/Monitor 'Levels' – Linked File



REVIT® Structure 2008 Update



Copy/Monitor 'Columns' – Linked File



REVIT® Structure 2008 Update

Coordination Review

In host project

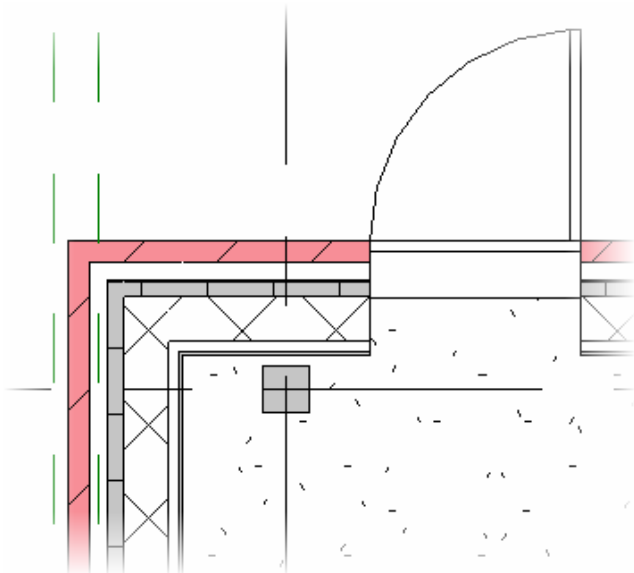
Group by: Status, Category, Rule

Message	
Check whether an Element exists	Pos
Maintain Floor elevations	Pos
Maintain floor slope	Pos
Monitor Floor Sketches	Pos

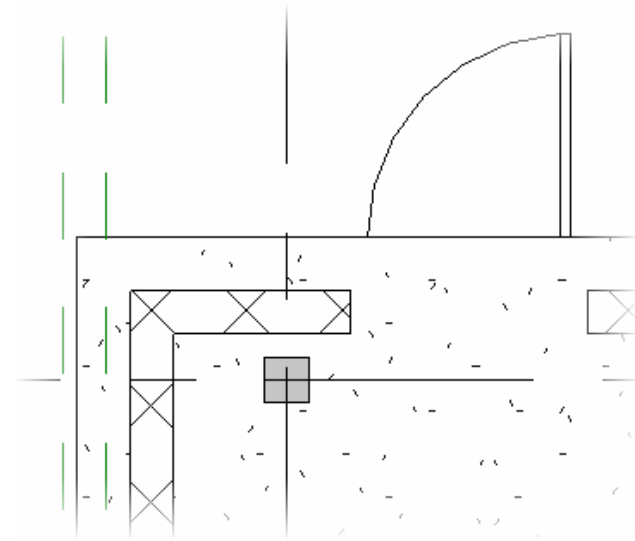
Copy/Monitor 'Floors' – Linked File



REVIT® Structure 2008 Update



Architectural

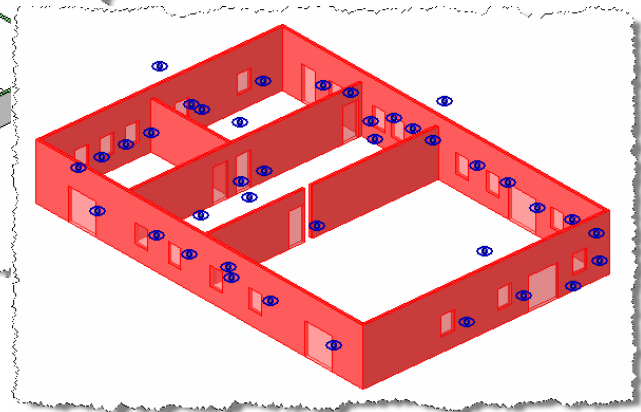
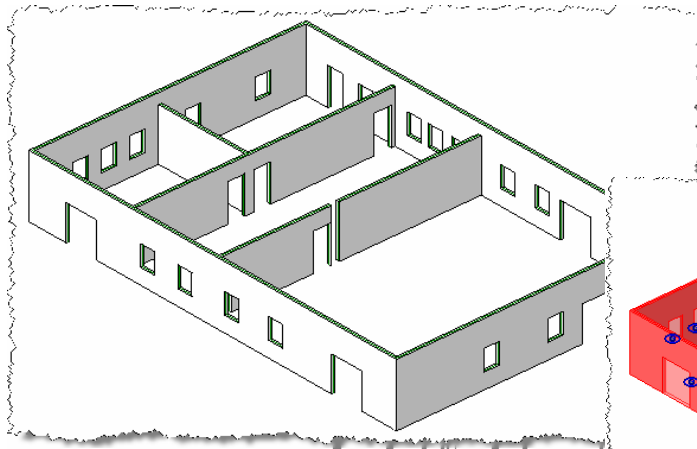
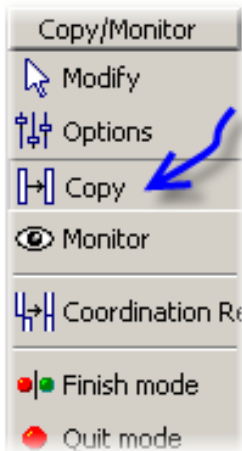


Structural

Copy/Monitor 'Walls' – Linked File



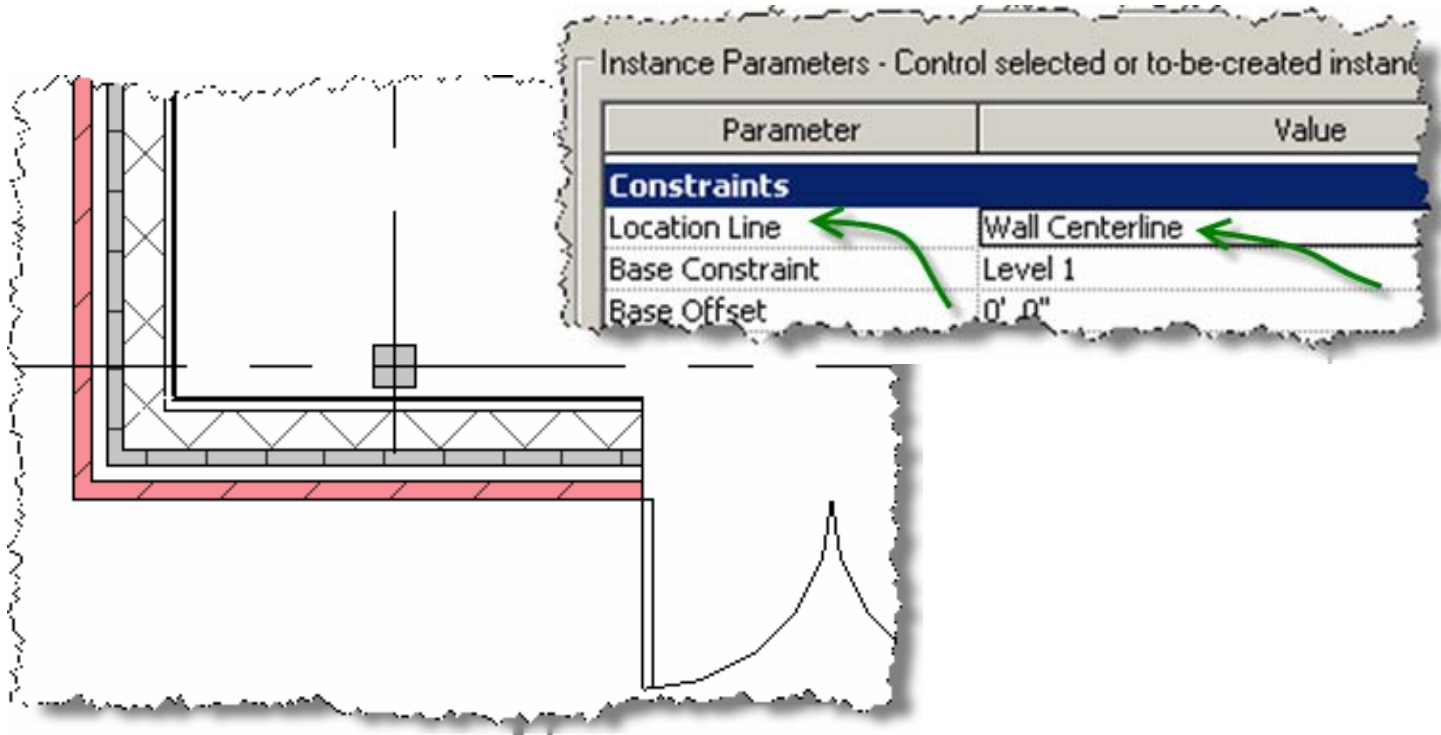
REVIT® Structure 2008 Update



Copy/Monitor Miscellaneous



REVIT® Structure 2008 Update



Copy/Monitor – Cavity Wall Tip



REVIT® Structure 2008 Update

The image shows a screenshot of the Revit Structure 2008 software interface. On the left, a properties table for a 'Door - Frame' is displayed. The 'Trim Width' parameter is highlighted with an orange arrow. In the center, a 3D model shows a door and two windows. On the right, an 'Additional Copy Parameters' dialog box is open, with the 'Copy windows/doors/openings' parameter checked.

Frame Material	Door - Frame
Dimensions	
Thickness	0' 2"
Height	7' 0"
Trim Projection Ext	0' 1"
Trim Projection Int	0' 1"
Trim Width	0' 2"
Width	3' 0"
Rough Width	3' 6"
Rough Height	7' 6"

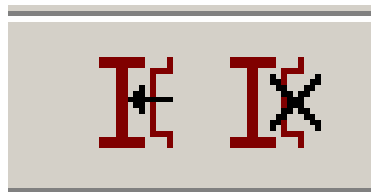
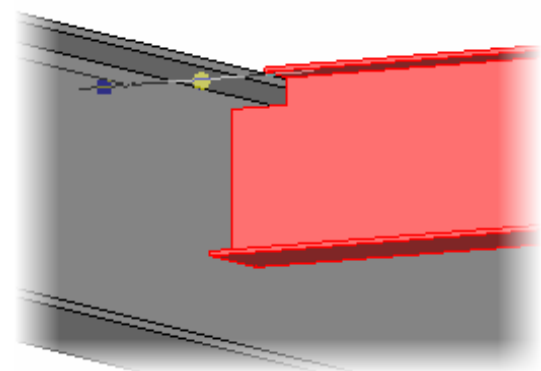
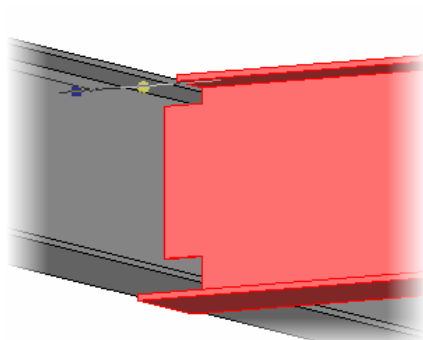
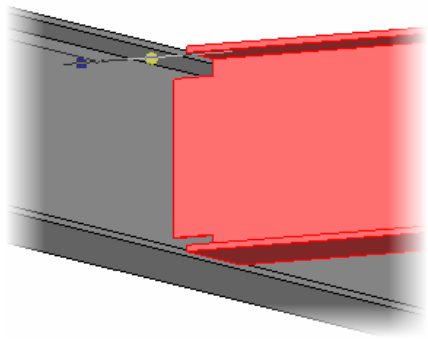
Additional Copy Parameters:

Parameter	
Copy windows/doors/openings	<input checked="" type="checkbox"/>

Copy/Monitor – Openings



REVIT® Structure 2008 Update



Coping Buttons